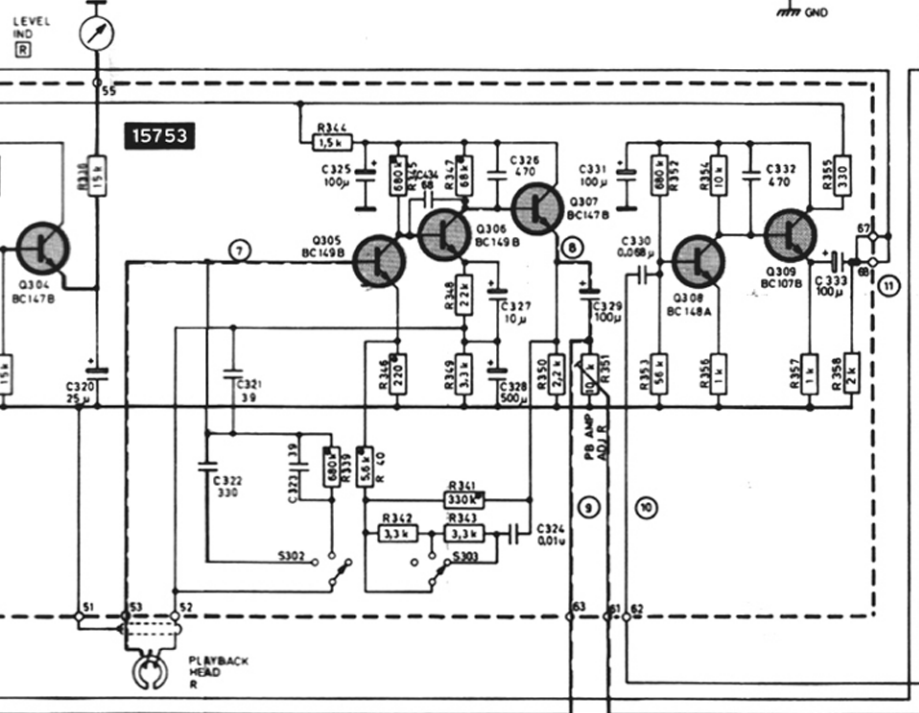
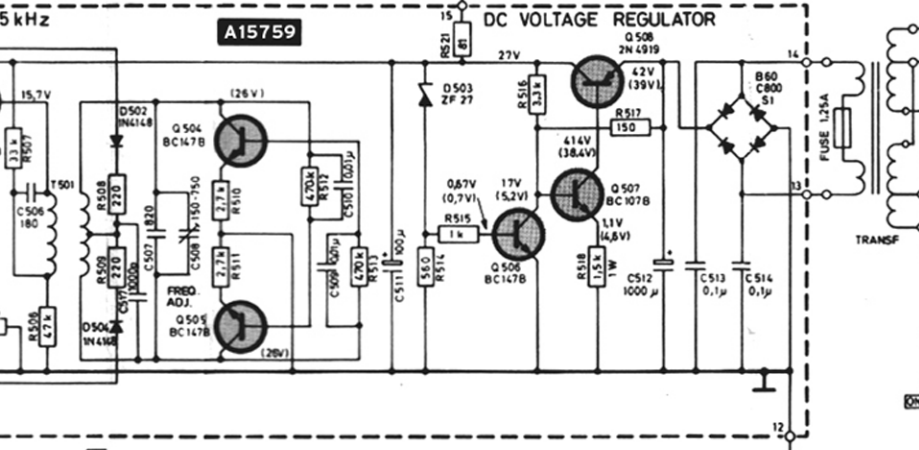
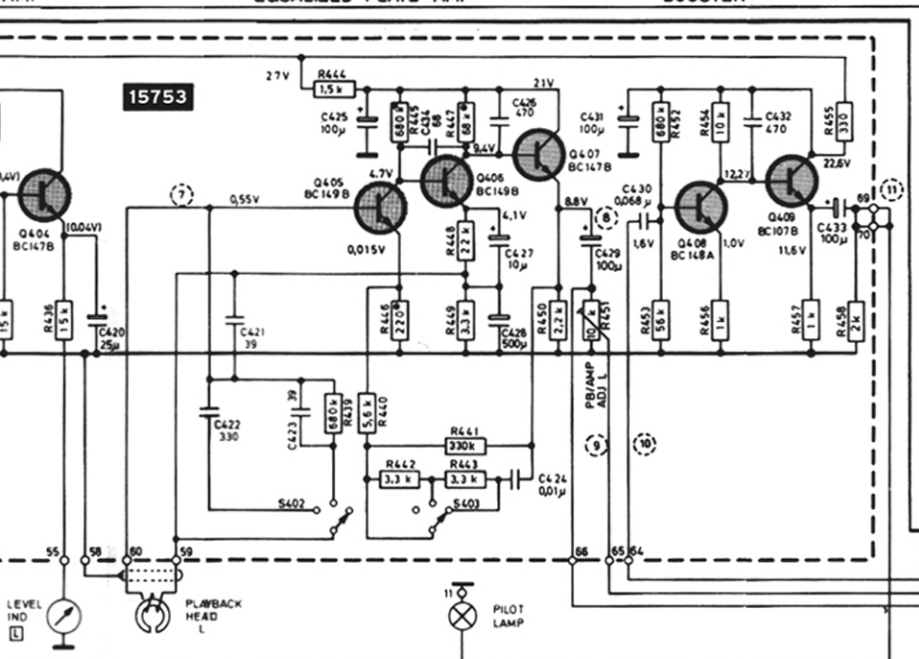


AMP

EQUALIZED PLAYB AMP

BOOSTER



NOTES

15753 • BOARD

TOP PLATE MARKING
REAR PANEL MARKING

FREQ ADJ

• PRESET CONTROL

• TEST POINT

O 24 • CONNECTION TERMINAL

L • UPPER TRACK • LEFT CHANNEL

R • LOWER TRACK • RIGHT CHANNEL

--- • SIGNAL PATH, PLAYBACK

--- • SIGNAL PATH, RECORD

• DEPOSITED CARBON RESISTORS

CAPACITORS INDICATED IN pF UNLESS OTHERWISE

SPECIFIED μ = 1000 000 pF

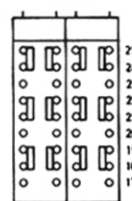
RESISTORS INDICATED IN OHMS UNLESS OTHERWISE

SPECIFIED K = 1000 OHMS M = 1000 000 OHMS

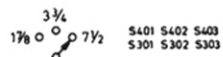
VOLTAGES GIVEN IN PARANTHESIS REFER TO RECORD

POSITION

RECORD

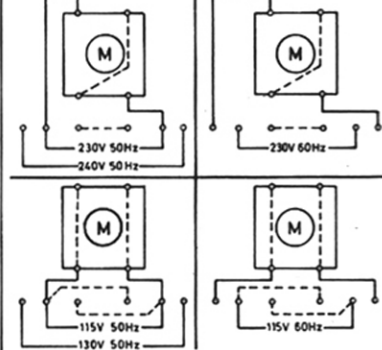


Sd Sc Sb Sa
RIGHT LEFT
SWITCHES ARE SHOWN IN
UNOPERATED POSITION



3 1/2 17 1/2 7 1/2 S401 S402 S403
S301 S302 S303

EQUALIZATION SWITCH



TRANSFORMER AND MOTOR CONNECTIONS

	SENSITIVITY AT 400Hz
1	5 mV
2	100 mV
3	0.1 mV
4	20 mV
5	115 mV
6	2.2 V
7	2 mV
8	350 mV
9	115 mV
10	115 mV
11	1 V
12	1 V

	RECORD 85.5kHz
13	6 VOLT
14	90 VOLT
15	90 VOLT